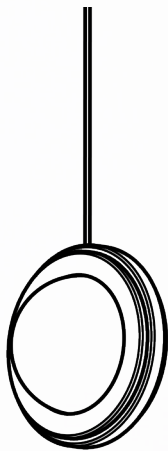


Infinity Modern



Size



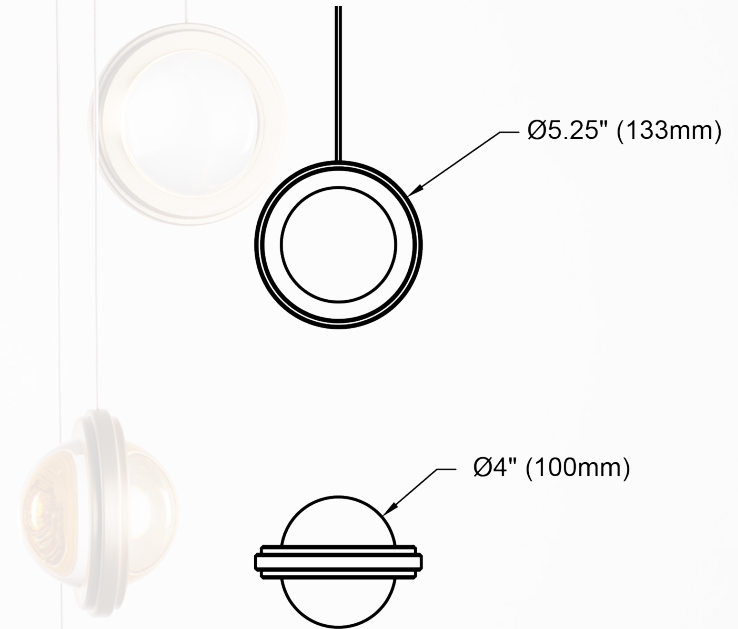
Infinity Modern Pendant

Description

The Infinity Modern Pendant, inspired by the Da Vinci Collection Infinity 1519 Pendant. The Infinity Modern pendant offers an elegant and clean aesthetic. It is made using anodized aluminum and two glass domes to magnify the illumination within. The light source is invisible, but glimpses of light are reflected a refracted as you move past the fixture.

Standard size of the Infinity Modern Pendant comes with 4-inch (100mm) diameter glass domes. Sold as a single pendant or in a grouped arrangement.

Designed by Maurice Dery



Model Number

Example : InfinityM - PN00 - 30LV - 01A1 - GLAWH - 01PH

Name	Style	Size	Color Temp	Power	Quantity	Canopy Style	Fixture Color	Canopy Color	Lumen Output	Dimming Options
XXXXXX	PN - Pendant CH - Chandelier WS - Wall Sconce FL - Floor Lamp T - Table Lamp	00 - Standard Size	27 - 2700K 30 - 3000K 34 - 3400K 41 - 4100K	AC - Line Voltage (120V 60Hz) LV - Low Voltage GL - Global Voltage (200 - 240 50Hz)	Number of pendants and or light sources. 01 - One pendant / light source	Various canopy options available including standard options and custom canopy requests. See Canopies and Suspension page for all options. For example A1 - 6" Dia Canopy	BK - Black WH - White SL - Silver BR - Bronze GL - Sun Gold	BK - Black WH - White SL - Silver BR - Bronze GL - Sun Gold	01 - Standard 02 - Hi Output 03 - Custom	PH - Phase Dimming 10 - 0-10 V Dimming ELV - ELV Dimming DALI - DALI Dimming

Note: Not all options are available for all models

Specifications

Specifications	Standard Lumen Output
Voltage Wattage Lumen Output (Source) Light Source CRI	24 VDC 3 Watts ~230 Lumens Karice LED Tape 91+ CRI

Finishes

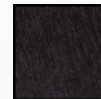
Standard finishes available, Custom finish options available upon request



GLA
Light Gold
Anodized



CLA
Clear
Anodized



BKA
Black
Anodized



Karice Lighting
karicelighting.com
info@karicelighting.com
1(604) 542 7137

Karice