

# MONTAUK SOFA

Antoine



As shown in Bouclé Odino fabric.



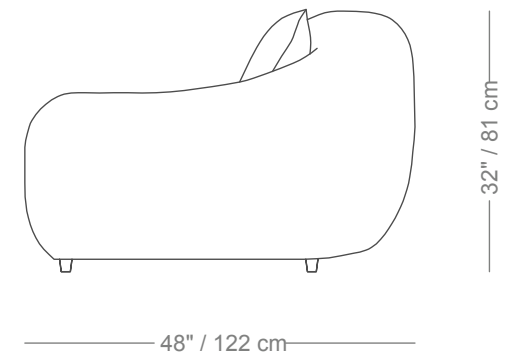
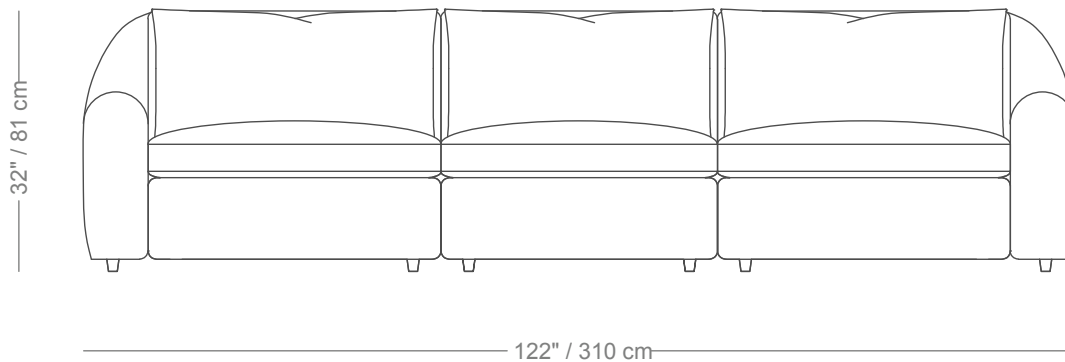
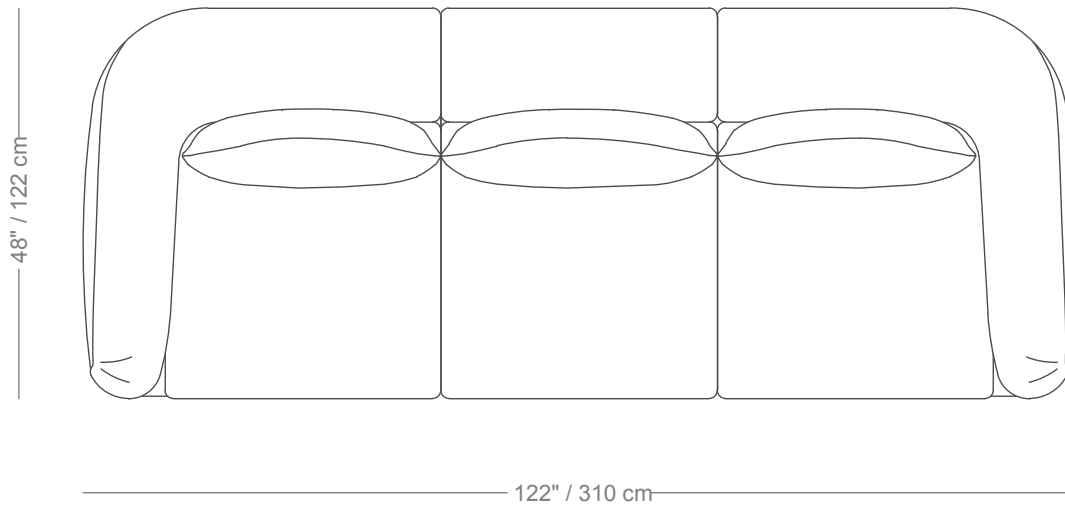
# MONTAUK SOFA

# Antoine

## Sofa

Length 122" / 310 cm  
Depth 48" / 122 cm  
Height 32" / 81 cm

The Antoine sofa is composed of modular units and multiple configurations are possible.  
Custom finishes, fabrics, and leather are available.



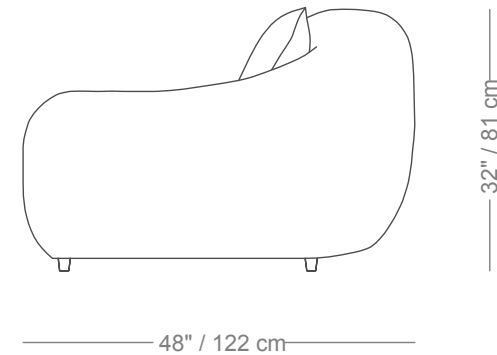
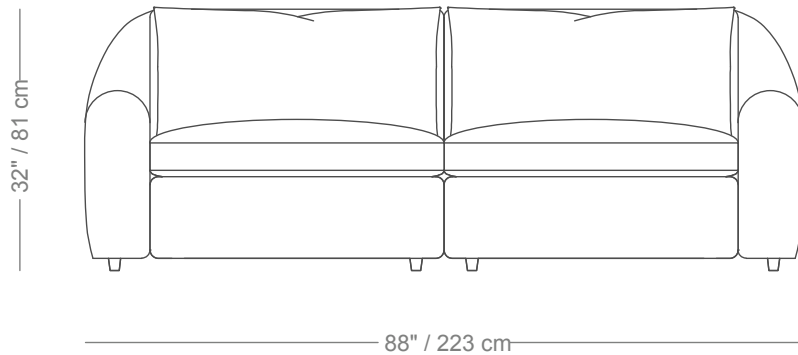
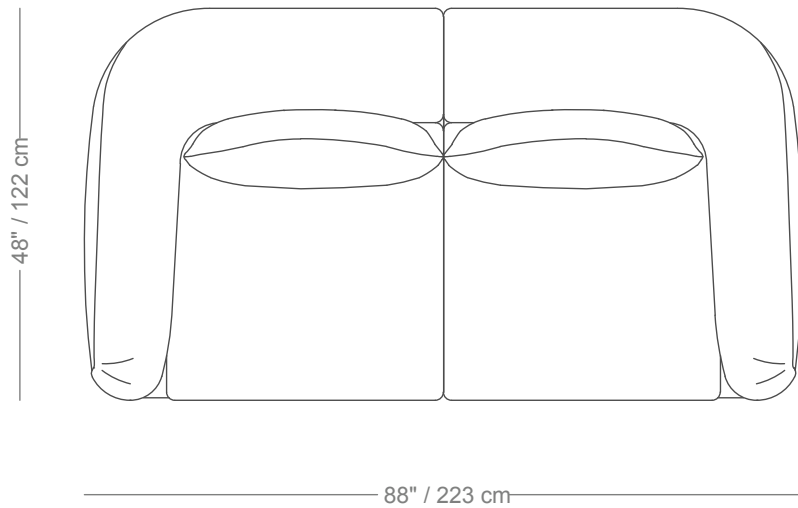
# MONTAUK SOFA

# Antoine

## Loveseeat

Length 88" / 223 cm  
Depth 48" / 122 cm  
Height 32" / 81 cm

The Antoine sofa is composed of modular units and multiple configurations are possible.  
Custom finishes, fabrics, and leather are available.



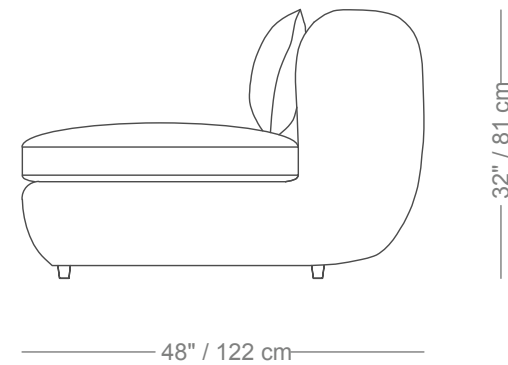
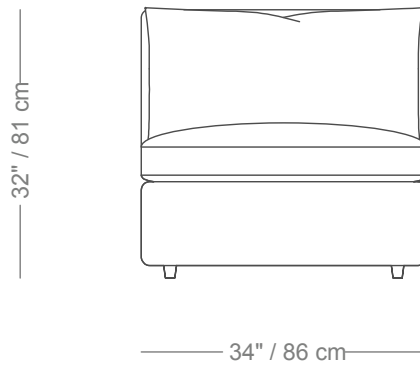
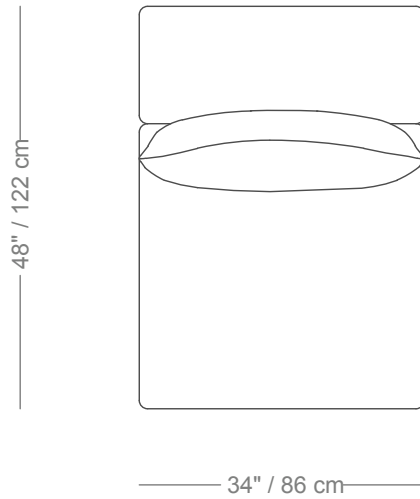
# MONTAUK SOFA

# Antoine

## Armless Chair

Length 34" / 86 cm  
Depth 48" / 122 cm  
Height 32" / 81 cm

The Antoine sofa is composed of modular units and multiple configurations are possible.  
Custom finishes, fabrics, and leather are available.



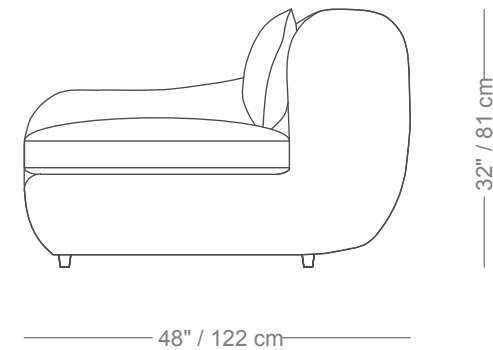
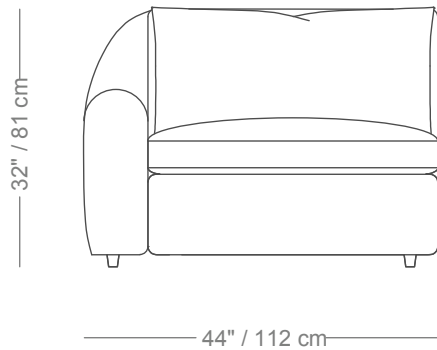
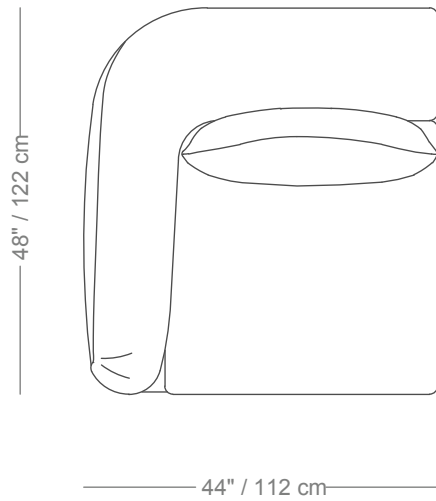
# MONTAUK SOFA

# Antoine

## One Arm Chair (left or right) and End Piece

Length 44" / 112 cm  
Depth 48" / 122 cm  
Height 32" / 81 cm

The Antoine sofa is composed of modular units and multiple configurations are possible.  
Custom finishes, fabrics, and leather are available.



# MONTAUK SOFA

# Antoine

## Corner piece

Length 48" / 122 cm  
Depth 48" / 122 cm  
Height 32" / 81 cm

The Antoine sofa is composed of modular units and multiple configurations are possible.  
Custom finishes, fabrics, and leather are available.

