

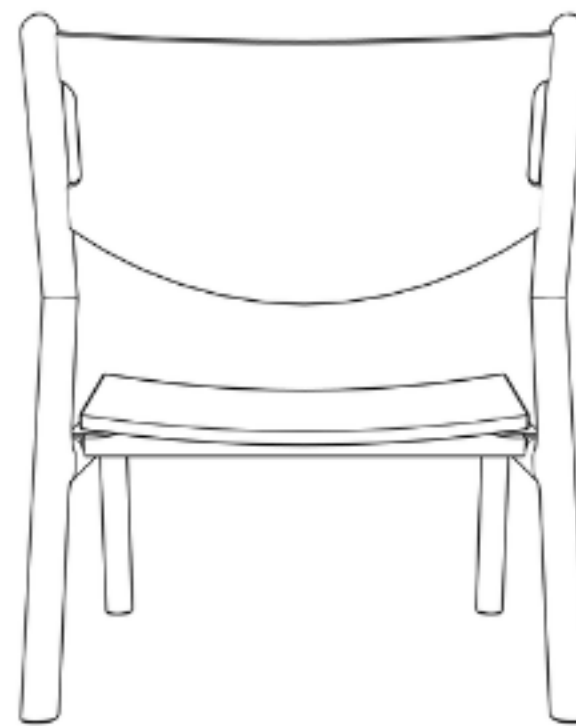
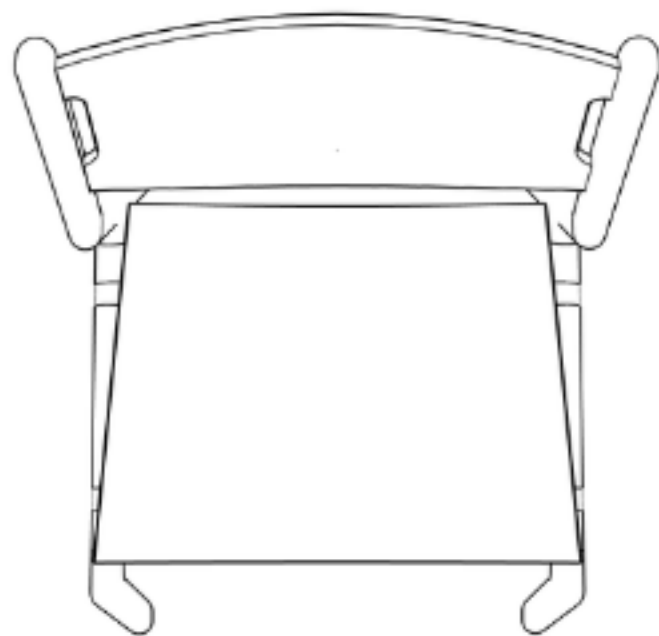
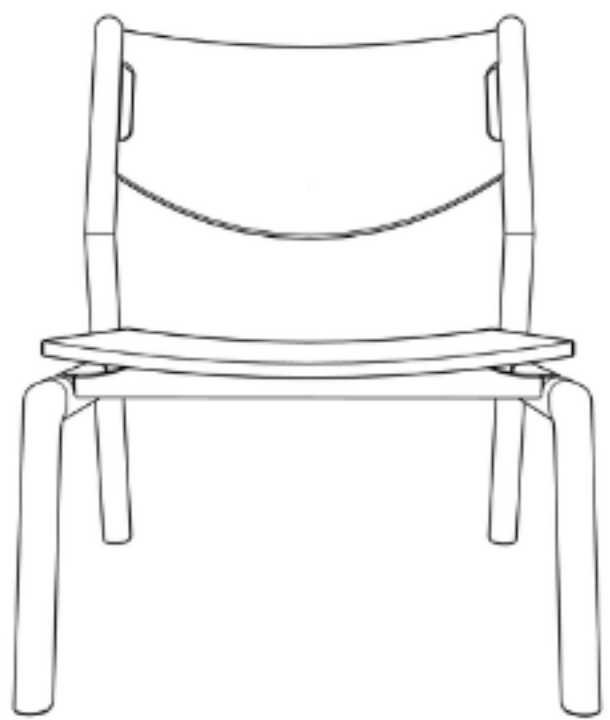
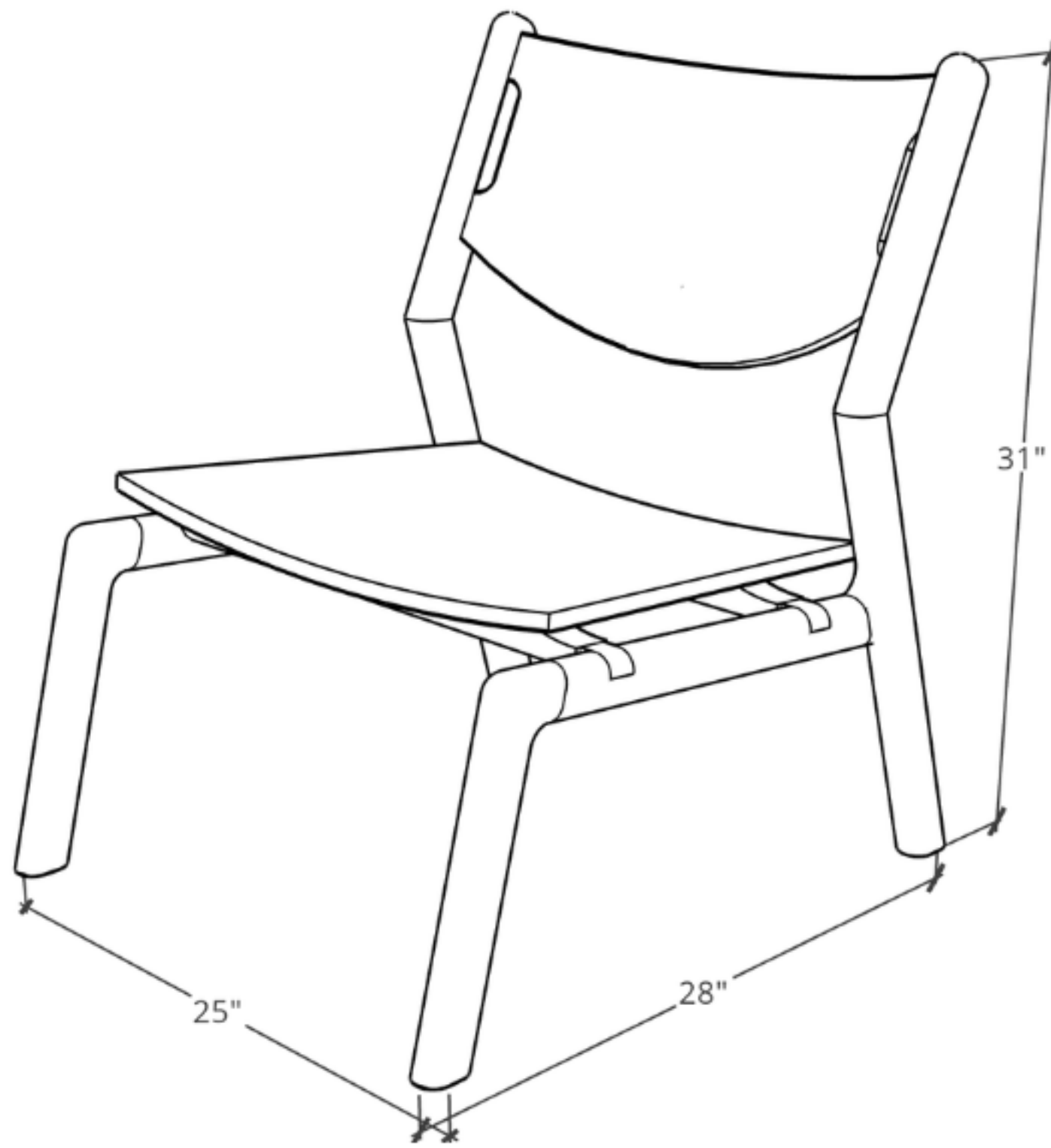
D4 Lounge chair

Designed with ergonomics, comfort and subtlety in mind, this chair is as functional as it is sculptural. A solid wooden frame, made with traditional joinery, supports a bent laminated seat and back, which are carefully curved to cradle its occupant.

Sizes: Footprint 25"x28" Height 31"

Material Options: Ash, White Oak, Black Walnut.

Seating pad made of 100% wool felt and cork.



DIMMO

ATELIER

